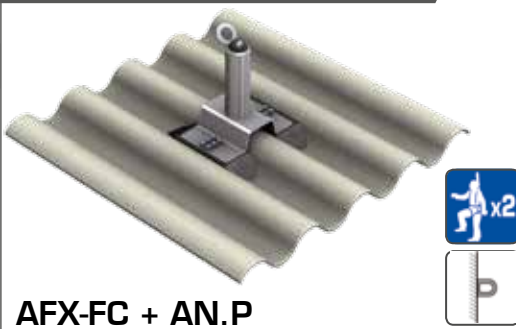


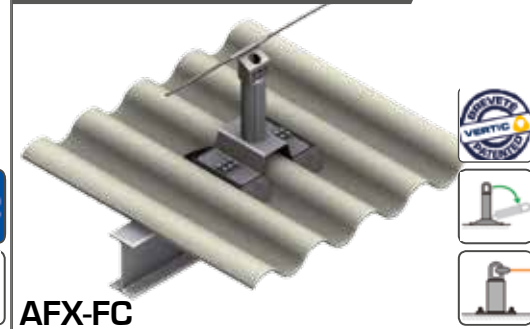
FIXING SYSTEM ON FIBER-CEMENT ROOFING



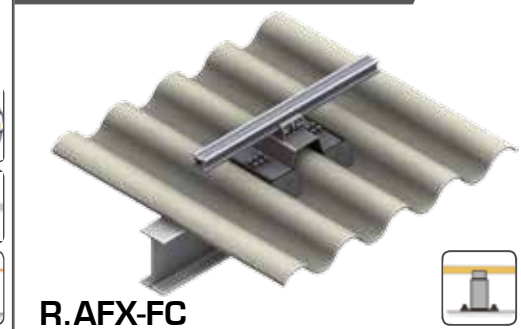
Anchor points



Cable lifeline support



Rail support



PRODUCT ADVANTAGES

- Installation without going under-surface
- Quickly installed
- Fixing on metallic structure IPN 80 or UPN 80 minimum
- Waterproof joints adapted to asbestos-cement plates 5,5 waves to ensure waterproofing

